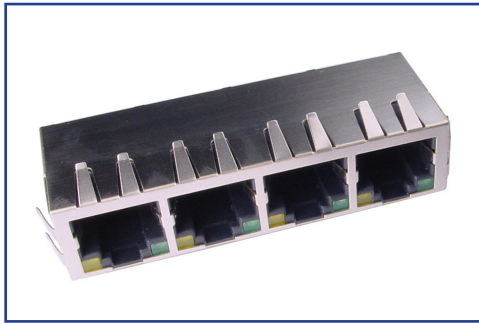


# 1XN RJ-45 10/100 BASE-T JACK WITH MAGNETIC MODULE



## N5101 SERIES



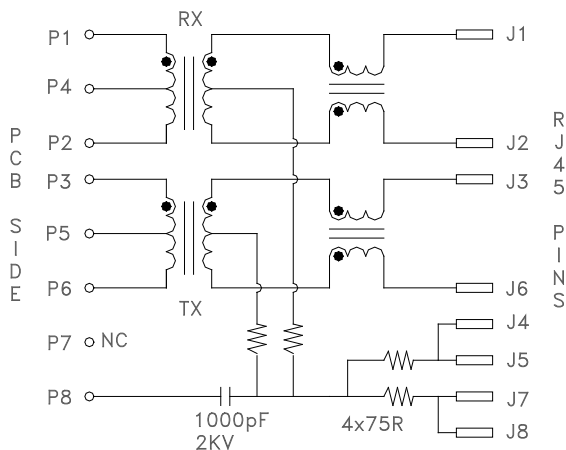
- RJ-45 1xN, Tab-Down, 8 pin with internal magnetics
- Available with and without LEDs
- Suitable for CAT 5 and 6 Fast Ethernet cable or better UTP
- Minimum 1500V<sub>RMS</sub> isolation per IEEE 802.3 requirement
- Operating temperature range: 0°C to +70°C
- RoHS compliant product

## ELECTRICAL SPECIFICATION @ 25°C

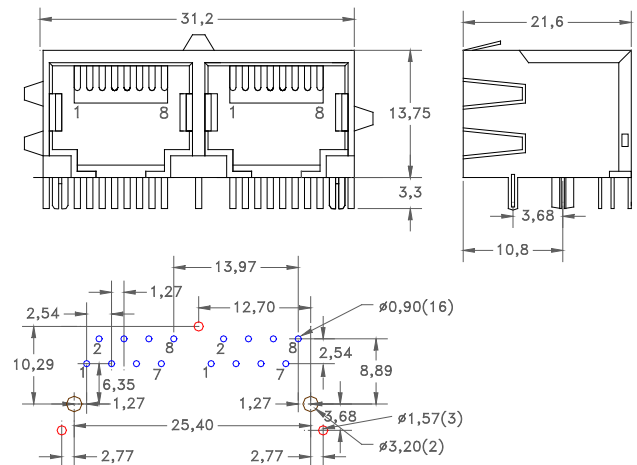
Part Number	1xN	Turns Ratio ±2%		Insertion Loss 0.1-100MHz (dB) Max	Retrun Loss (dB) Min MHz			Cross Talk (dB) Typ MHz	CMR (dB) Typ MHz
		TX	RX		1-30	30-60	60-80		
N5101-2	1x2	1CT:1	1CT:1	-1.1	-18	-14	-12	-40	-35
N5101-4	1x4	1CT:1	1CT:1	-1.1	-18	-14	-12	-40	-35
N5101-6	1x6	1CT:1	1CT:1	-1.1	-18	-14	-12	-40	-35
N5101-8	1x8	1CT:1	1CT:1	-1.1	-18	-14	-12	-40	-35

- Inductance: 350µH Min @ 100KHz, 0.1V<sub>RMS</sub> with 8mA DC
- Hipot: 1500V<sub>RMS</sub>, 1 minute

## SCHEMATIC



## DIMENSIONS: N5101-2



### Dimensions

Unless otherwise specified, all tolerances are:  
 inch: .XX : ±0.015 .XXX : ±0.004  
 mm: X,X : ±0.38 X,XX : ±0.10

Product performance is limited to specified parameters. Data is subject to change without prior notice.

13200 Estrella Ave., Bldg. B  
Gardena, CA 90248

Tel: 310-325-1043  
Fax: 310-325-1044

www.mpsind.com  
sales@mpsind.com



